

S38 Track Luminaire

PRODUCT DESCRIPTION

Ketra track lighting solution for integrating Ketra full spectrum S38 lamps into retrofit and new construction projects.

FEATURES

High Def Palette—covers a wide range of 16.7 million colors, including pastels, saturated colors and high CRI whites spanning from 1,400K to 10,000K.

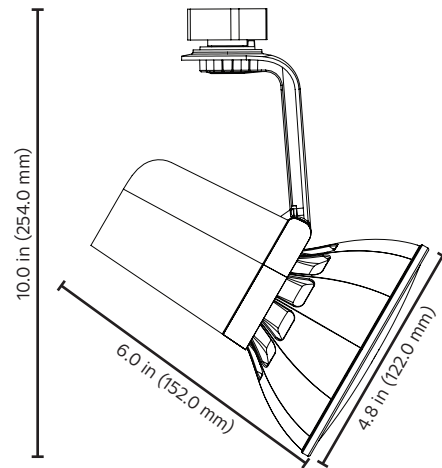
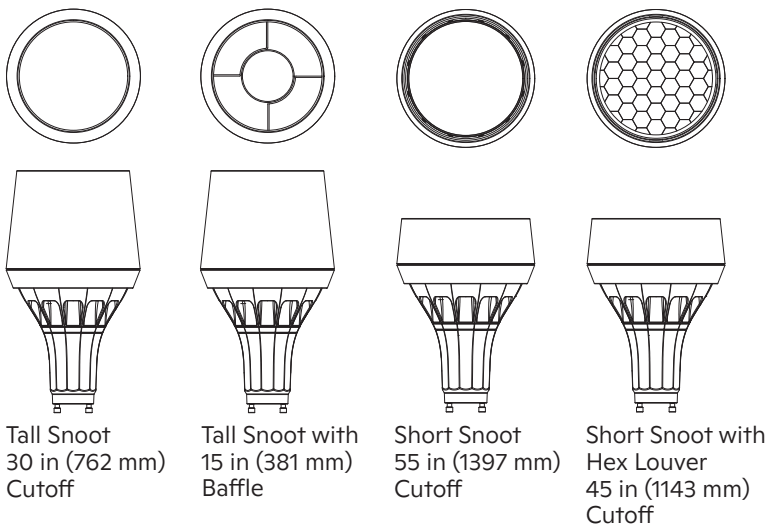
Dynamic Spectrum—precisely tunes the amount of energy across the visible spectrum to produce Natural Light, Natural Dimming and Vibrancy.

TruBeam—produces uniform color across any available beam angle.

Color Lock—maintains your desired color point at a one-step MacAdam Ellipse across all Ketra product families and over each product’s lifetime.



ACCESSORIES ¹



Finish



¹ Compatible with monopoint canopy adapters and H-Type Track Systems (provided by others).

SPECIFICATIONS¹

Optical Performance

Delivered Lumens ²	1100 lm
CRI (Ra) ³	>90 (R9 >90)
Lumen Maintenance ⁴	36,000 hours to L70 @ 25 °C T_A
Color Point Maintenance	One-step MacAdam Ellipse over product lifetime
Equivalent Traditional Lamp	75 W/ 100 W halogen PAR38
Dimming Protocol	Wireless RF / CCX (Lutron Clear Connect-Type X)
Dimming Range ⁵	0.1-100%

Environmental

Ambient Temperature (T _A)	32 to 122 °F (0 to 50 °C)
Humidity	0–95%, Non-condensing
Certification	UL, cUL, RoHS, FCC Class B
Location	UL Damp Location, IP20, not for use in outdoor applications
Warranty	5 year fixture, LED, and dimming warranty

Mechanical

Fixture Weight	13.8 oz, 390 g
Housing Material	Powder Coated Aluminum, Polymer
Lens Material	Non-yellowing PMMA
Base Type	GU24

Electrical

Power Consumption	S38.11 – 14.1 W (1176 lm)
Power Factor	>0.9
Current	170 mA Max
Efficacy	S38.11 – 83.2 lm/W
Emergency Lighting	Evaluated by UL[®] for use in emergency lighting systems in accordance with standard UL[®] 924 and CSA C22.2 No. 141 when paired with the LVS[™] model LUT-SHUNT-A-TD (UL[®] file E206507)⁶.

¹ All performance measurements taken at 3000K, 25 °C ambient, 100% power input, unless otherwise stated.

² Lumen measurement complies with IES LM-79-08 testing procedures.

³ See color gamut chart at the end of this document.

⁴ Lumen maintenance values calculated in accordance to TM-21 procedures based on LM-80 compliant measurement data.

⁵ Intensity and color point control requires compatible system.

⁶ See Lutron Application Note 106 (P/N 048106) at www.lutron.com for wiring details. This is only applicable to CCX fixtures used in an Athena system.

ORDERING GUIDE

Please download this PDF to use the interactive drop down features of the ordering guide.

	TA	S38	11	GT		11	G24			
Product Line	Fixture Style	Model	Lumens	System	Beam Angle	Region / Voltage	Base Type	Adapter Type	Housing Finish	Accessory

Order code: _____

Product Line	Code	System	Code	Adapter Type	Code
Commercial (Athena compatible)	CM-	CCX ¹	GT	"H-Type" Compatible	H
Residential (HomeWorks compatible)	HW-	Beam Angle		½ in (12.7 mm) NPT Canopy Mount	N
Fixture Style		Spot (10°)	SP	Housing Finish	
Track Luminaire	TA	Flood (25°)	FL	White	WH
Model		Wide Flood (40°)	WFL	Black	BK
S38	S38	Very Wide Flood (60°)	VFL	Accessory	
Lumens		Region / Voltage		Short Snoot 55° cutoff	SNT55
1100	11	North America, 120 V~ 60 Hz	11	Tall Snoot 30° cutoff	SNT30
		Base Type		Hex Louver 45° cutoff, includes SNT55	LUV45
		GU24	G24	Baffle 15° cutoff, includes SNT30	BFL15
				No Accessory	NA

¹ CCX stands for Clear Connect-Type X.

ACCESSORIES ORDERING GUIDE

Please download this PDF to use the interactive drop down features of the ordering guide.

UN-	S38A		
Product Line	Model	Accessory Type	Housing Color

Order code: _____

Product Line	Code
Universal	UN-
Model	
S38 Accessory	S38A
Accessory Type	
Short Snoot	SNT55
Tall Snoot	SNT30
45° Hex Louver Includes Short Snoot	LUV45
15° Baffle Includes Tall Snoot	BFL15
Housing Color	
White (Snoots only)	WH
Black	BK

55° Cutoff Short Snoot



45° Cutoff Hex Louver with
55° Cutoff Short Snoot



30° Cutoff Tall Snoot

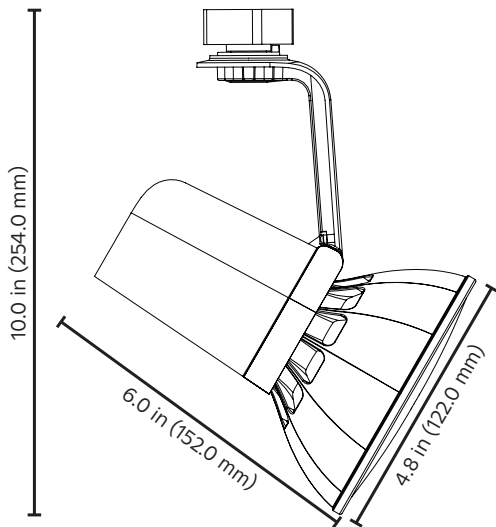


15° Cutoff Baffle with 30°
Cutoff Tall Snoot

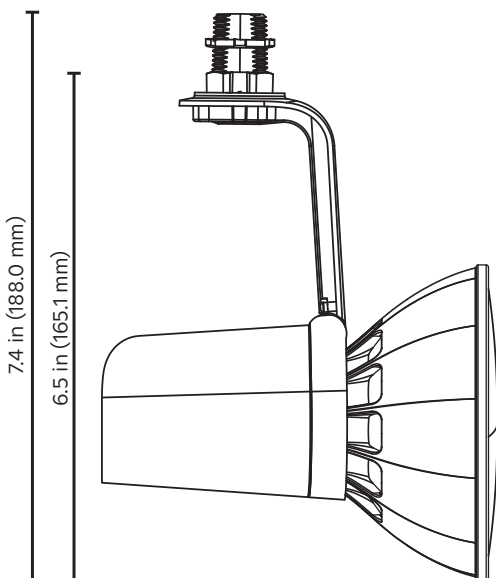
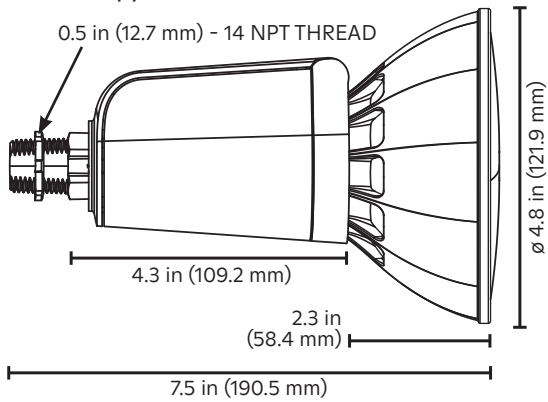


PRODUCT DIMENSIONS

H-Type Track Mount



NPT Canopy Mount

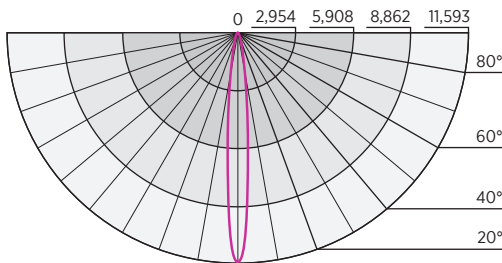
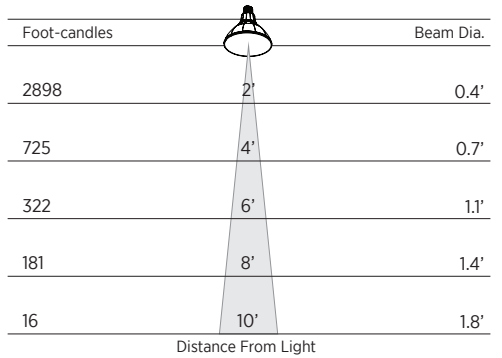


CAD files available upon request

PHOTOMETRIC DATA: 2700 - 5000 K VALUES ONLY

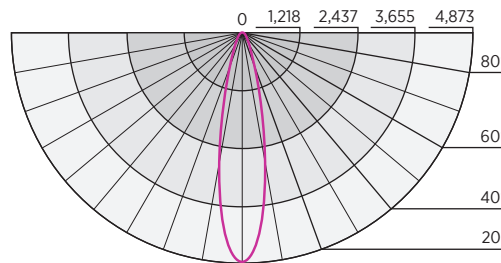
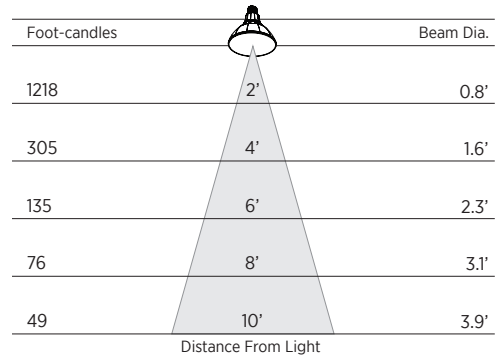
Beam Angle: 10° Spot (SP)

Model Number ¹	Wattage	Delivered Lumens	CBCP
S3811ICTSP11E26WH	14 W	1100	11,593



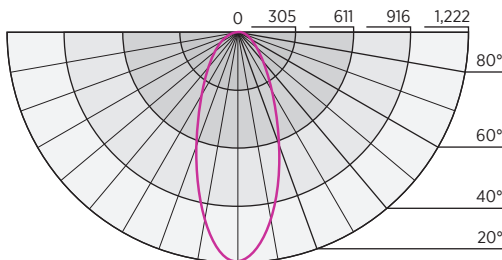
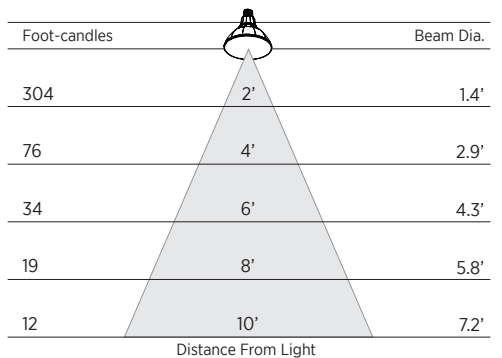
Beam Angle: 25° Flood (FL)

Model Number ¹	Wattage	Delivered Lumens	CBCP
S3811IBTFL11E26WH	14 W	1100	4873



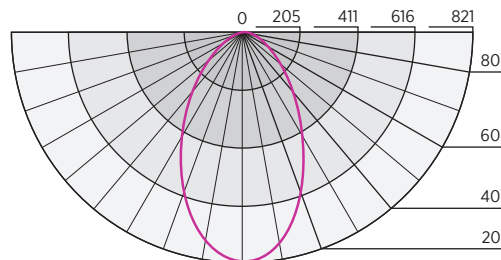
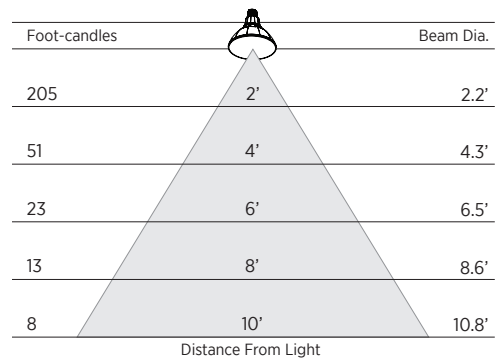
Beam Angle: 40° Wide Flood (WFL)

Model Number ¹	Wattage	Delivered Lumens	CBCP
S3811IBTWFL11E26WH	14 W	1100	1217



Beam Angle: 60° Very Wide Flood (VFL)

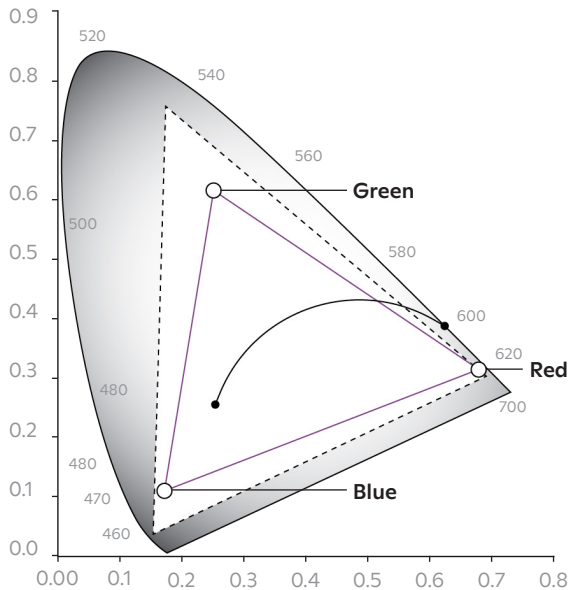
Model Number ¹	Wattage	Delivered Lumens	CBCP
S3811IBTVFL11E26WH	14 W	1100	818



¹ This option is not available for sale in California.

WIDE GAMUT

CIE 1931 Color Chart



Ketra's LED Track Luminaire can easily be commissioned into Lutron HomeWorks or Athena systems. The product can reproduce any color point within the triangle shaped gamut indicated in the chart to the left. With Ketra's innovative optical and thermal feedback system, the color point is maintained to an accuracy of one-step MacAdam Ellipse over the lifetime of the product and across operating temperature range.

- **Color Lock**—Color point is maintained to an accuracy of one-step MacAdam Ellipse over the lifetime of the product and across operating temperature range.
- - - **Expanded Gamut**—Color lock not guaranteed such that each product produces the most saturated color of which it is capable.

S38 General Specifications

Color Point Maintenance: Employ closed loop optical and thermal feedback capable of maintaining color point accuracy at a one-step MacAdam ellipse over product lifetime¹.

Wireless Capability: LED light source shall have an integrated wireless control on board.

Color Rendering Index (CRI): Capable of CRI greater than 90 at any point along the Black Body Curve from 2,700K to 5,000K.

Single Source Multi-Die Modular Emitter/LED Module Design: Employ a single source multi-die modular emitter/LED module consisting of both monochromatic and phosphor converted blue LED die.

LED Estimated Useful Life: Minimum of 50,000 hours at 70 percent lumen maintenance, calculated based on IES LM-80 test data.

Diagnostic Reporting Capability²: Clear Connect-Type X (CCX) light sources provide diagnostics and built-in technology to check input voltage and wireless connectivity.

Warranty: Ketra's light source is warranted to be free from material defects in material and workmanship for five (5) years or 25,000 hours from date of shipment, whichever is less.

Lighting System Capable of the Following Dimming Functionality:

1. Automatically mimicking natural daylight by shifting Correlated Color Temperature (CCT) and intensity based on time-of-day.
2. Shifting from high CCT at high intensity to low CCT at low intensity, mimicking dimming curve of an incandescent lamp.
3. Changing intensity while maintaining full color spectrum or CCT.
4. Changing full color spectrum or CCT while maintaining intensity.

Spectral Power Distribution Manipulation: Light system capable of manipulating the Spectral Power Distribution (SPD) by automatically adjusting distributions of color intensity while maintaining the same Correlated Color Temperature (CCT).

Dimming Range: Dimmable from 100 to 0.1 percent measured luminous flux.

Color Point Range: Single light source capable of producing 16.7 million colors and white from 1,400K to 10,000K Correlated Color Temperature (CCT).

¹ Color point maintenance not guaranteed in the expanded gamut or while operating at ambient temperatures between -13 to 32 °F (-25 to 0 °C).

² For diagnostics support or more information, please contact Lighting Technical Support at lightingsupport@lutron.com or 1.844.LUTRON1 (1.844.588.7661).

The Ketra logo, Ketra, TruBeam, Color Lock, Clear Connect, Athena, and HomeWorks are trademarks or registered trademarks of Lutron Electronics Co., Inc. in the US and/or other countries.

All other product names, logos, and brands are property of their respective owners.